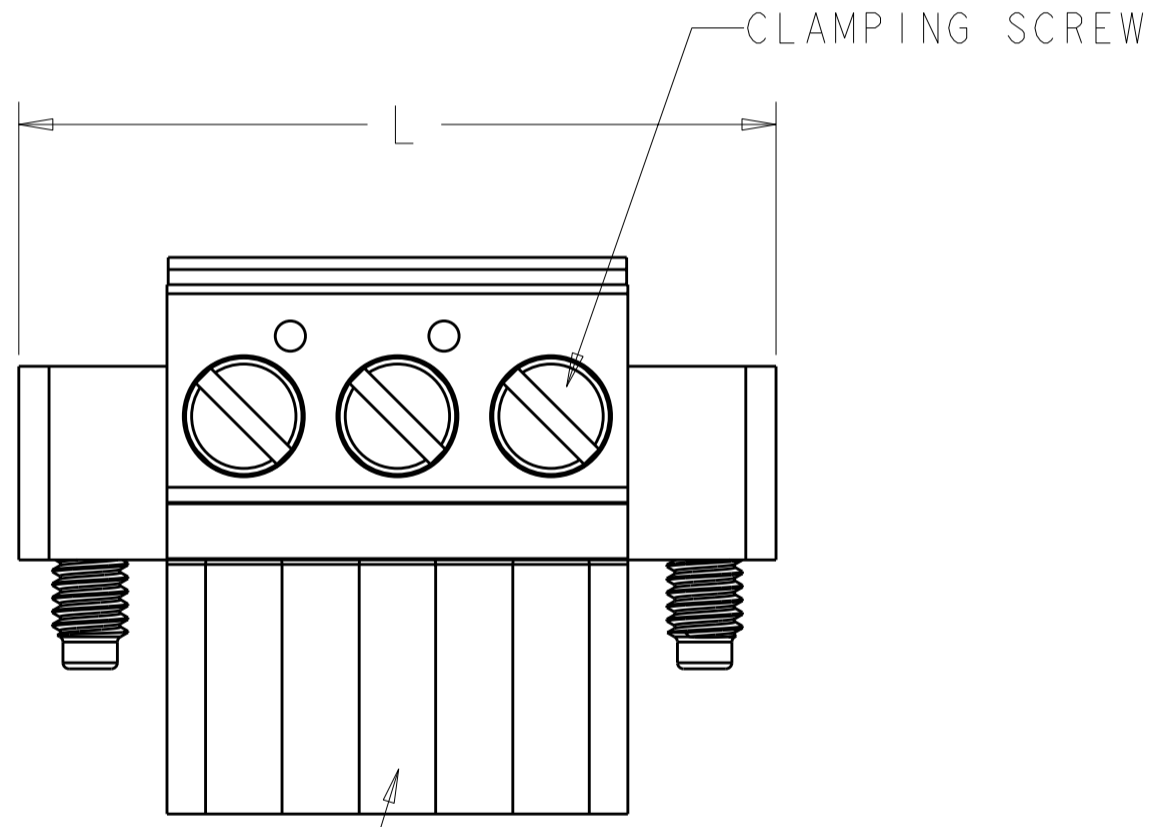
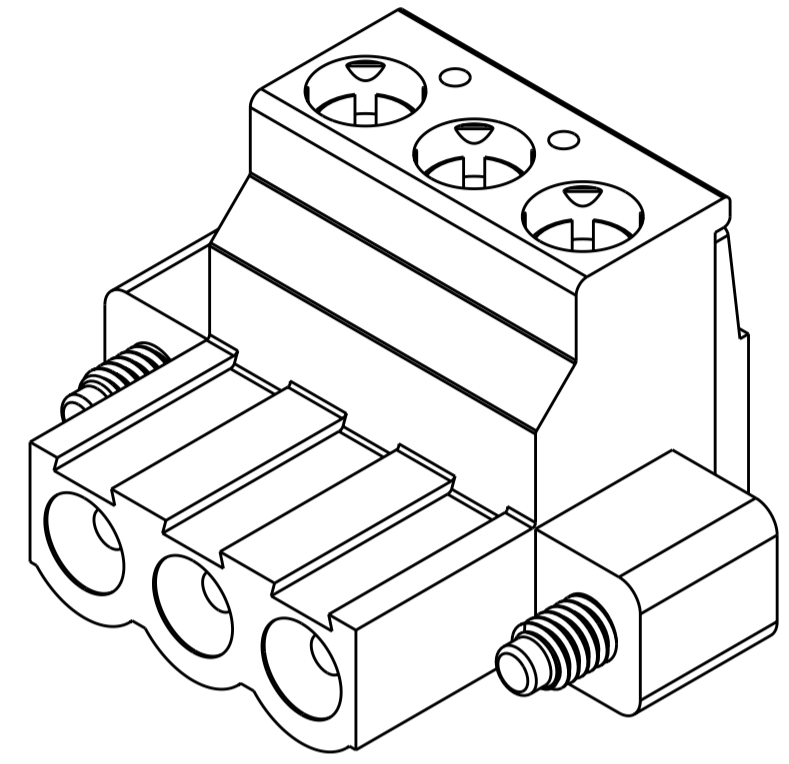
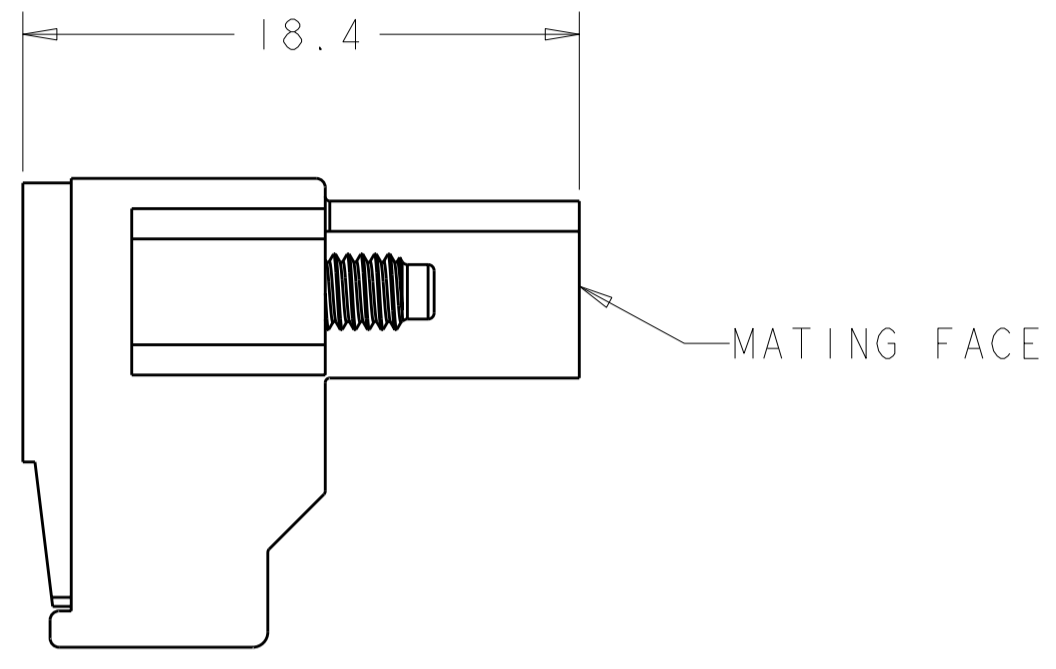
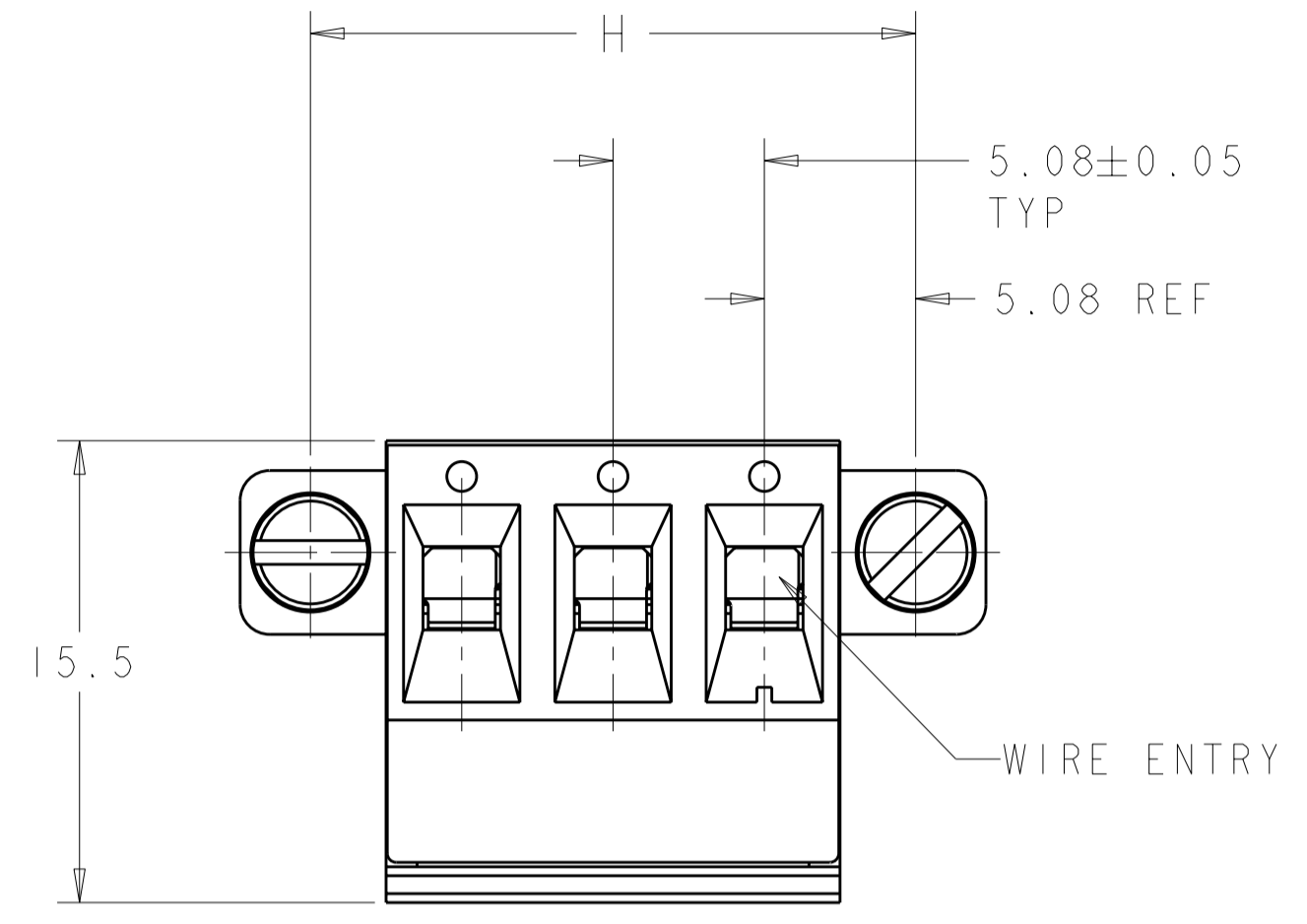


THIS DRAWING IS UNPUBLISHED. RELEASED FOR PUBLICATION 20
 © COPYRIGHT 20 BY TYCO ELECTRONICS CORPORATION. ALL RIGHTS RESERVED.

LOC	DIST	REVISIONS			
P	LTR	DESCRIPTION	DATE	DWN	APVD
	E	REVISED EC 063B-0691-04	25OCT2004	SW	CR
	EI	REVISED ECO-07-000728	10JAN2007	SW	CR



POLARIZATION KEY SLOT

- 1 MATERIALS AND FINISH:
HOUSING: PA 6-6, UL 94-V0, COLOR: GREEN.
TERMINAL: PHOSPHOR BRONZE, PLATING: SEE TABLE.
- 2. SUITABLE FOR 1,6-2, 4mm PC BOARD THICKNESS.
- 3. RECOGNIZED UNDER THE COMPONENT PROGRAM OF UNDERWRITERS LABORATORIES INC. FILE No. E60677.
- 4. IMQ CERTIFICATE WITH SURVEILLANCE ON CONFORMITY WITH IEC 998-1/998-2-1.
- 5 INK MARKING, COLOR: WHITE.
- 6 LABEL APPLIED OR INK MARKING AS SHOWN.

PRELIMINARY	0.2µm GOLD	6	DETAIL G	35.20	30.48	5	2-796859-5
PRELIMINARY	TIN	5	DETAIL F	25.04	20.32	3	2-796859-4
TIN	-	-	-	126.64	121.92	23	2-796859-3
TIN	-	-	-	121.56	116.84	22	2-796859-2
TIN	-	-	-	116.48	111.76	21	2-796859-1
TIN	-	-	-	111.40	106.68	20	2-796859-0
TIN	-	-	-	106.32	101.60	19	1-796859-9
TIN	-	-	-	101.24	96.52	18	1-796859-8
TIN	-	-	-	96.16	91.44	17	1-796859-7
TIN	-	-	-	91.08	86.36	16	1-796859-6
TIN	-	-	-	86.00	81.28	15	1-796859-5
TIN	-	-	-	80.92	76.20	14	1-796859-4
TIN	-	-	-	75.84	71.12	13	1-796859-3
TIN	-	-	-	70.76	66.04	12	1-796859-2
TIN	-	-	-	65.68	60.96	11	1-796859-1
TIN	-	-	-	60.60	55.88	10	1-796859-0
TIN	-	-	-	55.52	50.80	9	796859-9
TIN	-	-	-	50.44	45.72	8	796859-8
TIN	-	-	-	45.36	40.64	7	796859-7
TIN	-	-	-	40.28	35.56	6	796859-6
TIN	-	-	-	35.20	30.48	5	796859-5
TIN	-	-	-	30.12	25.40	4	796859-4
TIN	-	-	-	25.04	20.32	3	796859-3
TIN	-	-	-	19.96	15.24	2	796859-2
TERMINAL PLATING	MARKING	SPECIAL	L	H	NO. OF POSN	PART NUMBER	

THIS DRAWING IS A CONTROLLED DOCUMENT FOR TYCO ELECTRONICS CORPORATION. IT IS SUBJECT TO CHANGE AND THE CONTROLLING ENGINEERING ORGANIZATION SHOULD BE CONTACTED FOR THE LATEST REVISION.

DWN: S. WELDON 12FEB2001
 CHK: D. BIEVENOUR 12FEB2001
 APVD: D. BIEVENOUR 12FEB2001

BUCHANAN Tyco Electronics
 Harrisburg, PA 17105-3608

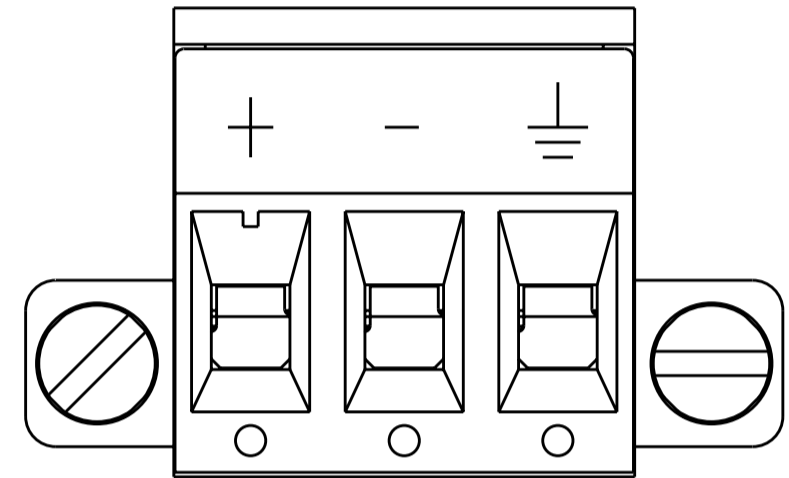
NAME: TERMINAL BLOCK, PLUG
 90 DEGREE, WITH FLANGE,
 5.08mm PITCH

SIZE: A2 CAGE CODE: 00779 DRAWING NO: 796859 RESTRICTED TO: -

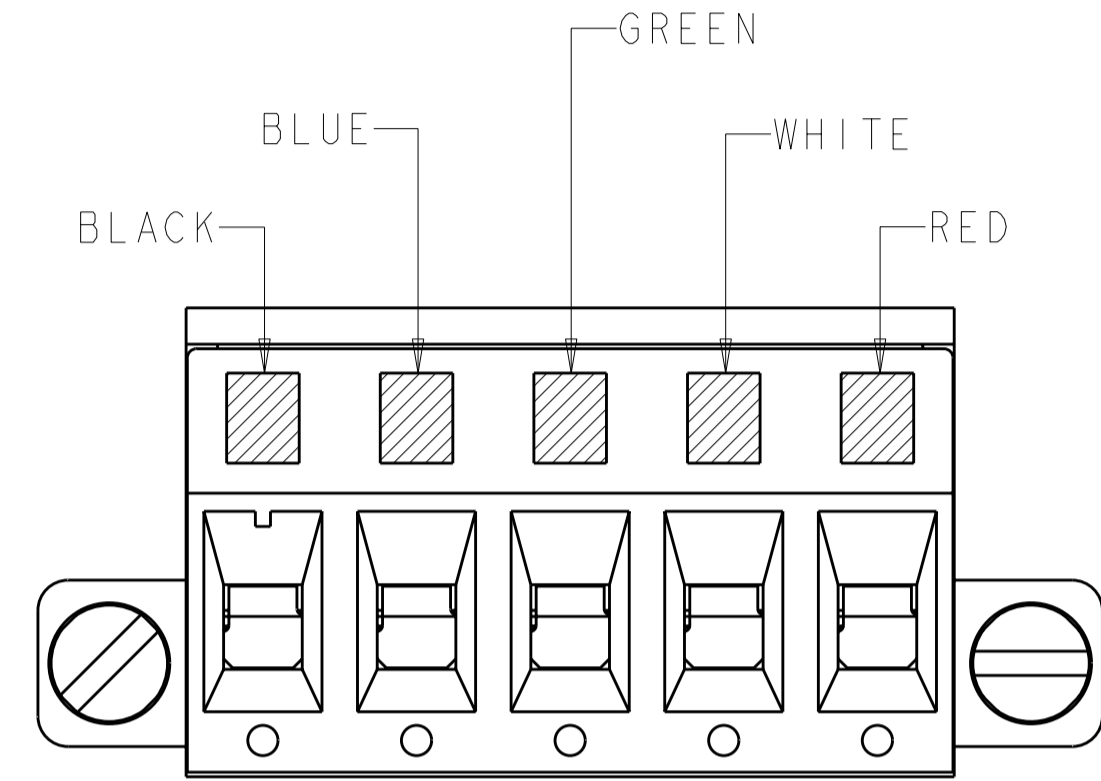
CUSTOMER DRAWING SCALE: 2:1 SHEET 1 OF 2 REV: E1

THIS DRAWING IS UNPUBLISHED. RELEASED FOR PUBLICATION 20
 © COPYRIGHT 20 BY TYCO ELECTRONICS CORPORATION. ALL RIGHTS RESERVED.

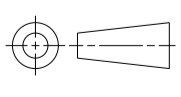
LOC	DIST	REVISIONS			
P	LTR	DESCRIPTION	DATE	DWN	APVD
FT	0	-	SEE SHEET 1	-	-



DETAIL F



DETAIL G

<small>THIS DRAWING IS A CONTROLLED DOCUMENT FOR TYCO ELECTRONICS CORPORATION IT IS SUBJECT TO CHANGE AND THE CONTROLLING ENGINEERING ORGANIZATION SHOULD BE CONTACTED FOR THE LATEST REVISION.</small>		DWN S.WELDON 12FEB2001 CHK D.BIEVENOUR 12FEB2001 APVD D.BIEVENOUR 12FEB2001	Tyco Electronics Harrisburg, PA 17105-3608	
DIMENSIONS: mm 	TOLERANCES UNLESS OTHERWISE SPECIFIED: 0 PLC ±- 1 PLC ±0.2 2 PLC ±0.00 3 PLC ±0.000 4 PLC ±0.0000 ANGLES ±- FINISH -	PRODUCT SPEC - APPLICATION SPEC - WEIGHT -	NAME TERMINAL BLOCK, PLUG, 90 DEGREE, WITH FLANGE, 5.08mm PITCH 5.08mm PITCH	
MATERIAL -			SIZE A2 CAGE CODE 00779 DRAWING NO. C-796859	RESTRICTED TO -
CUSTOMER DRAWING			SCALE 4:1	SHEET 2 OF 2 REV E1